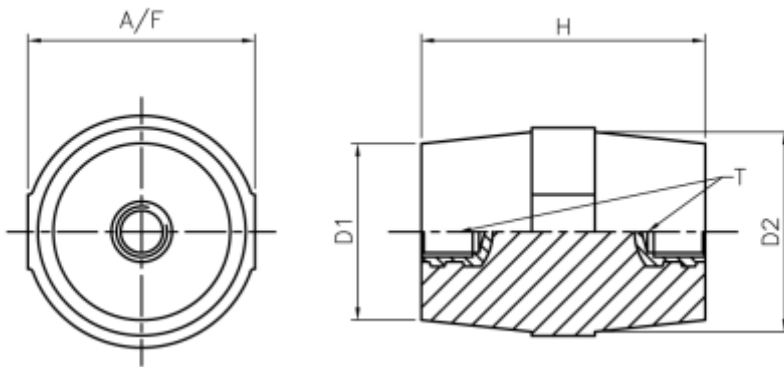


SPANNER HOLD INSULATORS



DIMENSIONAL DATA

ITEM NAME	ITEM CODE	D1	D2	H	A/F	INSERT		INSERT		Rated Voltage	Test Voltage (For 1 Min)
						T1	L1	T2	L2		
SPANNER HOLD INSULATOR M8 X 35 HT	SPH0835			35		M8	12	M8	12	440 V	2 KV
SPANNER HOLD INSULATOR M8 X 40 HT	SPH0840			40		M8	12	M8	12	440 V	2 KV
SPANNER HOLD INSULATOR M8 X 45 HT	SPH0845	28	33	45	36	M8	16	M8	16	440 V	2 KV
SPANNER HOLD INSULATOR M10 X 51 HT	SPH1051	28	32	51	37	M10	16	M10	16	440 V	2 KV
SPANNER HOLD INSULATOR M12 X 76 HT	SPH1276	34	42	76	50	M12	25	M12	25	600 V	2 KV

* Insert sizes could also be varied to suit customer requirement