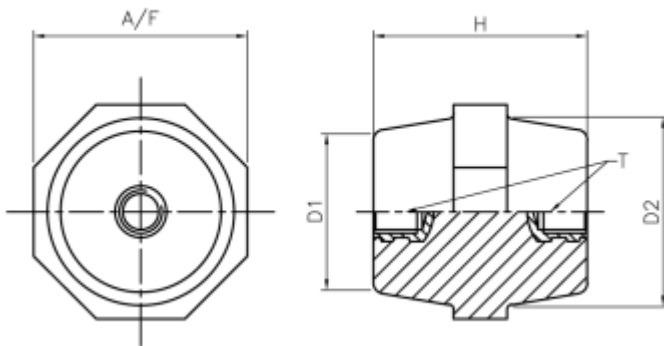


OCTAGONAL INSULATOR



DIMENSIONAL DATA

ITEM NAME	ITEM CODE	D1	D2	H	A/F	F	INSERT		INSERT		Rated Voltage	Test Voltage (For 1 Min)
							T1	L1	T2	L2		
OCTAGONAL INSULATOR M4 X 14 HT	OCT0414	11	13	14	14	3	M4	5	M4	5	440 V	2 KV
OCTAGONAL INSULATOR M4 X 16 HT	OCT0416	13	15	16	16	4	M4	5	M4	5	440 V	2 KV
OCTAGONAL INSULATOR M5 X 18 HT	OCT0518	14	16	18	18	4	M5	7	M5	7	440 V	2 KV
OCTAGONAL INSULATOR M5 X 20 HT	OCT0520	13	16	20	19	5	M5	7	M5	7	440 V	2 KV
OCTAGONAL INSULATOR M6 X 25 HT	OCT0625	14	17	25	21	6	M6	9	M6	9	440 V	2 KV
OCTAGONAL INSULATOR M6 X 30 HT	OCT0630	21	27	30	32	8	M6	13	M6	13	440 V	2 KV
OCTAGONAL INSULATOR M8 X 35 HT	OCT0835	25	30	35	35	9	M8	13	M8	13	440 V	2 KV
OCTAGONAL INSULATOR M8 X 40 HT	OCT0740	30	35	40	40	10	M8	16	M8	16	440 V	2 KV
OCTAGONAL INSULATOR M10 X 45 HT	OCT1045	29	33	45	40	10	M10	16	M10	16	440 V	2 KV
OCTAGONAL INSULATOR M10 X 50 HT	OCT1050	32	37	50	44	10	M10	20	M10	20	440 V	2 KV
OCTAGONAL INSULATOR M12 X 55 HT	OCT1255	38	44	55	50	11	M12	18	M12	18	440 V	2 KV
OCTAGONAL INSULATOR M12 X 60 HT	OCT1260	39	45	60	55	12	M12	25	M12	25	600 V	2 KV
OCTAGONAL INSULATOR M12 X 65 HT	OCT1265	39	46	65	56	12	M12	25	M12	25	600 V	2 KV
OCTAGONAL INSULATOR M12 X 70 HT	OCT1270	42	50	70	60	13	M12	25	M12	25	600 V	2 KV
OCTAGONAL INSULATOR M12 X 75 HT	OCT1275	35	45	75	64	19	M12	25	M12	25	600 V	2 KV
OCTAGONAL INSULATOR 30 HT A/F 40	OCT103040	35	37	30	40	8	M10	12	M10	12	600 V	2 KV

* Insert sizes could also be varied to suit customer requirement