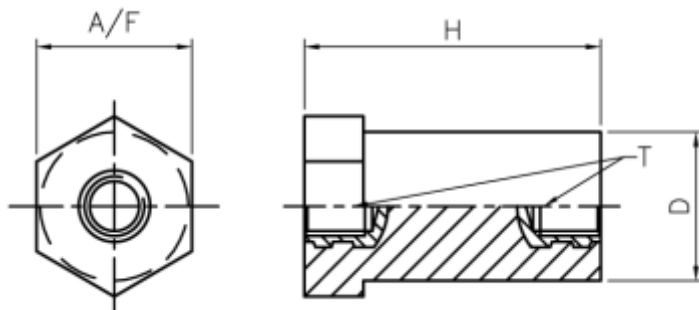


HEX BASE INSULATORS



DIMENSIONAL DATA

ITEM NAME	ITEM CODE	D1	H	A/F	F	INSERT		INSERT		Rated Voltage	Test Voltage (For 1 Min)
						T1	L1	T2	L2		
HEX BASE INSULATOR M6 X 25 HT	HXB0625	20	25	21	8	M6	9	M6	9	440 V	2 KV
HEX BASE INSULATOR M6 X 30 HT	HXB0630	20	30	21	8	M6	11	M6	11	440 V	2 KV
HEX BASE INSULATOR M6 X 35 HT	HXB0635	20	35	21	8	M6	11	M6	11	440 V	2 KV
HEX BASE INSULATOR M6 X 40 HT	HXB0640	20	40	21	8	M6	13	M6	13	440 V	2 KV
HEX BASE INSULATOR M6 X 50 HT	HXB0650	20	50	21	8	M6	13	M6	13	440 V	2 KV
HEX BASE INSULATOR M6 X 40 HT	HXB0660	40	40	41	8	M6	13	M6	13	440 V	2 KV

* Insert sizes could also be varied to suit customer requirement