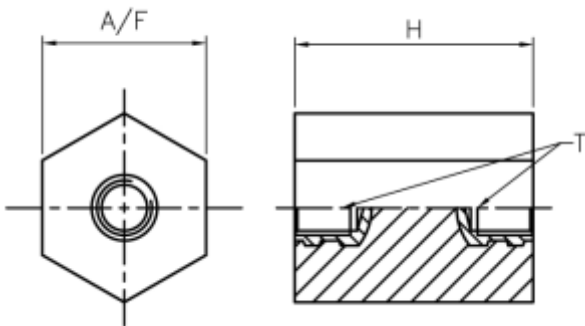


FULLY HEX INSULATORS



DIMENSIONAL DATA

ITEM NAME	ITEM CODE	H	A/F	INSERT		INSERT		Rated Voltage	Test Voltage (For 1 Min)
				T1	L1	T2	L2		
FULL HEX INSULATOR M8 X 25 HT	FHX0825	25	24	M8	10	M8	10	440 V	2 KV
FULL HEX INSULATOR M8 X 35 HT	FHX0835	35	24	M8	10	M8	10	440 V	2 KV
FULL HEX INSULATOR M8 X 50 HT	FHX0850	50	24	M8	16	M8	16	440 V	2 KV
FULL HEX INSULATOR M8 X 60 HT	FHX0860	60	24	M8	16	M8	16	600 V	2 KV

* Insert sizes could also be varied to suit customer requirement