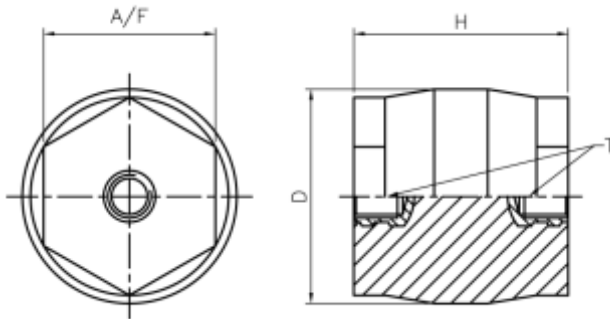


DOUBLE-HEX-INSULATORS



DIMENSIONAL DATA

ITEM NAME	ITEM CODE	D1	H	A/F	F	INSERT		INSERT		Rated Voltage	Test Voltage (For 1 Min)
						T1	L1	T2	L2		
DOUBLE HEX BAND INSULATOR M10 X 30 HT	DHX1030	30	30	24	10	M10	13	M10	13	440 V	2 KV
DOUBLE HEX BAND INSULATOR M10 X 40 HT	DHX1040	40	40	32	10	M10	16	M10	16	440 V	2 KV
DOUBLE HEX BAND INSULATOR M10 X 50 HT	DHX1050	40	50	32	10	M10	20	M10	20	440 V	2 KV

* Insert sizes could also be varied to suit customer requirement