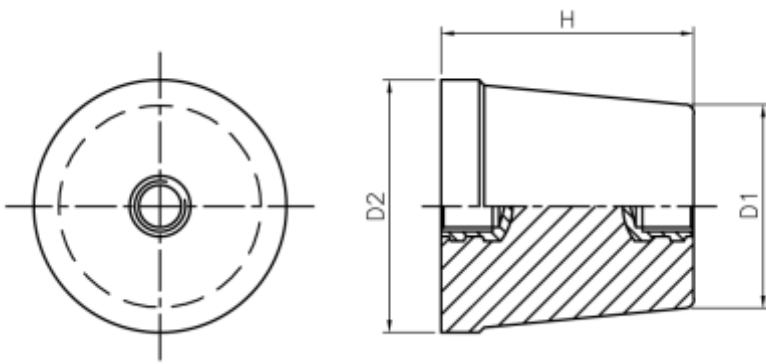


CONICAL INSULATORS



DIMENSIONAL DATA

ITEM NAME	ITEM CODE	D1	D2	H	F	INSERT		INSERT		Rated Voltage	Test Voltage (For 1 Min)
						T1	L1	T2	L2		
CONICAL INSULATOR M5 X 20 HT	CON0520	15	24	20	3	M6	7	M6	7	440 V	2 KV
CONICAL INSULATOR M6 X 25 HT	CON0625	18	25	25	5	M6	7	M6	7	440 V	2 KV
CONICAL INSULATOR M6 X 30 HT	CON0630	20	30	30	6	M6	10	M6	10	440 V	2 KV
CONICAL INSULATOR M8 X 35 HT	CON0835	21	32	35	4	M8	11	M8	11	440 V	2 KV
CONICAL INSULATOR M8 X 40 HT	CON0840	32	40	40	6	M8	16	M8	16	440 V	2 KV
CONICAL INSULATOR M10 X 45 HT	CON1045	30	45	45	5	M10	16	M10	16	440 V	2 KV
CONICAL INSULATOR M10 X 50 HT	CON1050	38	50	50	10	M10	20	M10	20	440 V	2 KV
CONICAL INSULATOR M10 X 55 HT	CON1055	33	50	55	5	M10	20	M10	20	440 V	2 KV
CONICAL INSULATOR M12 X 60 HT	CON1260	39	50	60	10	M12	25	M12	25	600 V	2 KV
CONICAL INSULATOR M12 X 70 HT	CON1270	38	50	70	10	M12	25	M12	25	600 V	2 KV

* Insert sizes could also be varied to suit customer requirement