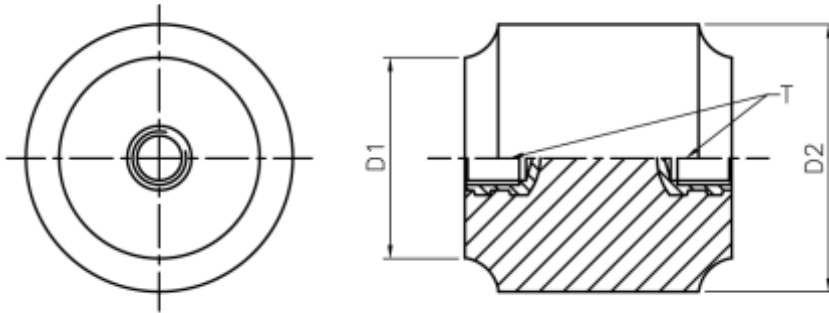


CHAMFERED ENDS CYLINDRICAL INSULATORS



DIMENSIONAL DATA

ITEM NAME	ITEM CODE	D1	D2	H	INSERT		INSERT		Rated Voltage	Test Voltage (For 1 Min)
					T1	L1	T2	L2		
CYLINDRICAL CHAMFERED END INSULATOR M6 X 30 HT	CHF0630	22	30	30	M6	11	M6	11	440 V	2 KV
CYLINDRICAL CHAMFERED END INSULATOR M8 X 40 HT	CHF0840	30	40	40	M8	13	M8	13	440 V	2 KV
CYLINDRICAL CHAMFERED END INSULATOR M10 X 50 HT	CHF1050	40	50	50	M10	14	M10	14	440 V	2 KV
CYLINDRICAL CHAMFERED END INSULATOR M12 X 60 HT	CHF1260	40	50	60	M12	25	M12	25	600 V	2 KV
CYLINDRICAL CHAMFERED END INSULATOR M8 X 45 HT	CHF083045	24	30	45	M8	16	M8	16	440 V	2 KV
CYLINDRICAL CHAMFERED END INSULATOR M8 X 45 HT	CHF084045	34	40	45	M8	16	M8	16	440 V	2 KV

* Insert sizes could also be varied to suit customer requirement